

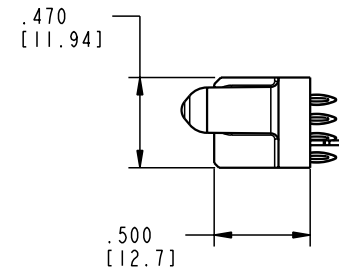
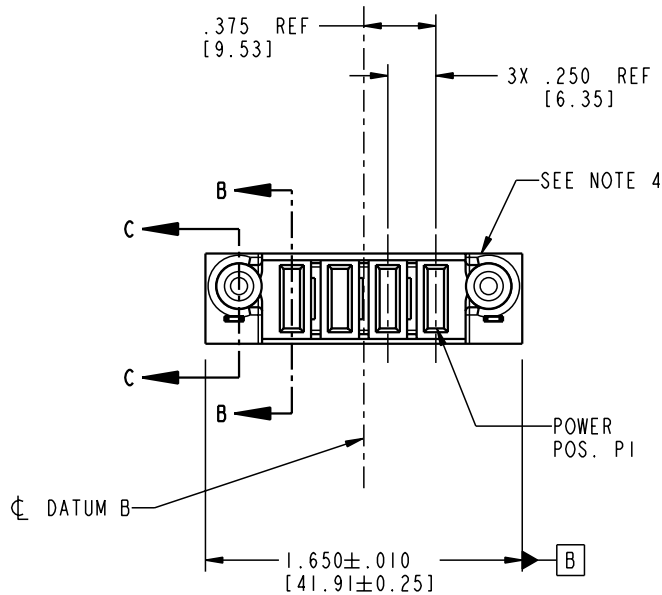
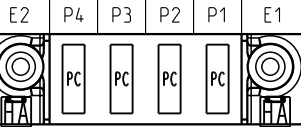
Tous droits strictement réservés. Reproduction ou communication o des tiers interdite sous quelque forme que ce soit sans autorisation écrite du propriétaire. Propriete de c FCI. Droits de reproduction FCI.

All rights strictly reserved. Reproduction or issue to third parties in any form whatever is not permitted without written authority from the proprietor. Property of FCI. Copyright FCI.

PRODUCT NO.

51743-10400000CA

POWER



CODE	DIM "M" MATING LENGTH	CONTACT TYPE
PC	.042 [1.07]	POWER
HA	N/A [N/A]	HOLD-DOWN

mat'l code				SEE NOTE 2		tolerances unless otherwise specified		CUSTOMER		 www.fciconnect.com	
ltr	ecm no.	dr	date	linear	.XX±.01/0.X±0.3		COPY		title		
A	V21855	CGD	12/09/02		.XXX±.005/0.XX±0.13		projection		4P		
				angles	.XXX±.0020/0.XXX±0.051		 INCH/MM		VERTICAL PRESS FIT RECEIPT		
				dr	C. DAILY	12/09/02	scale		product family		code
				engr	M. MOSTOLLER	12/09/02	1:1		PwrBlade		213
				chr	M. MOSTOLLER	12/09/02			size		sheet
				appd	M. MOSTOLLER	12/09/02			A 51743-10400000CA		1 of 4
sheet index	revision sheet	A	A	A	A						
		1	2	3	4						

Pro/E

cage code 22526

PDM: Rev:A

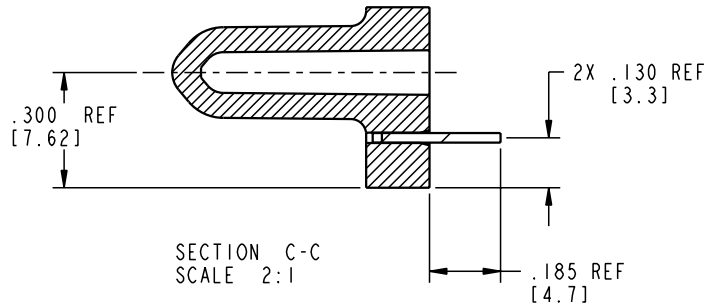
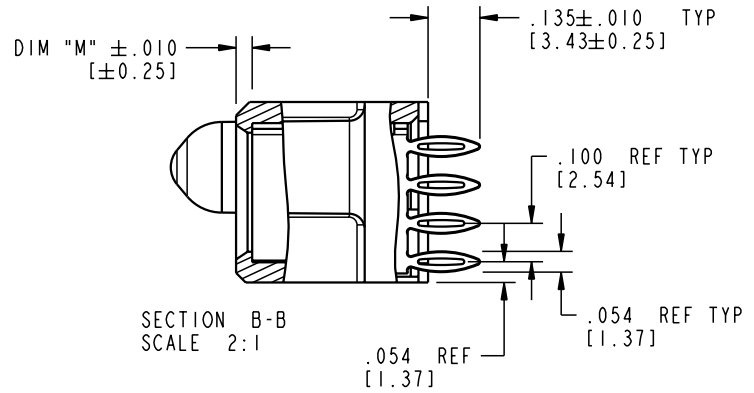
STATUS: Released


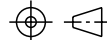
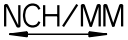
Printed: Aug 14, 2007

Tous droits strictement reserves. Reproduction ou communication a des tiers interdite sous quelque forme que ce soit sans autorisation écrite du propriétaire. Propriete de c FCI. Droits de reproduction FCI.

All rights strictly reserved. Reproduction or issue to third parties in any form whatever is not permitted without written authority from the proprietor. Property of FCI. Copyright FCI.

PRODUCT NUMBER
51743-1040000CA



mat'l code				SEE NOTE 2		tolerances unless otherwise specified		CUSTOMER		 www.fciconnect.com	
ltr	ecn no.	dr	date	linear	.XX±.01/0.X±0.3		COPY		  scale 1:1		
A					angles	.XXX±.005/0.XXX±0.13 .XXX±.0020/0.XXX±0.051		title 4P VERTICAL PRESS FIT RECEIPT			
				dr	C. DAILY	12/09/02	product family		PwrBlade	code	213
				enr	M. MOSTOLLER	12/09/02	size		dwg no	sheet	
				chr	M. MOSTOLLER	12/09/02	A 51743-1040000CA		2 of 4		
				appd	M. MOSTOLLER	12/09/02					
sheet index	revision sheet										

Pro/E

cage code 22526

PDM: Rev:A

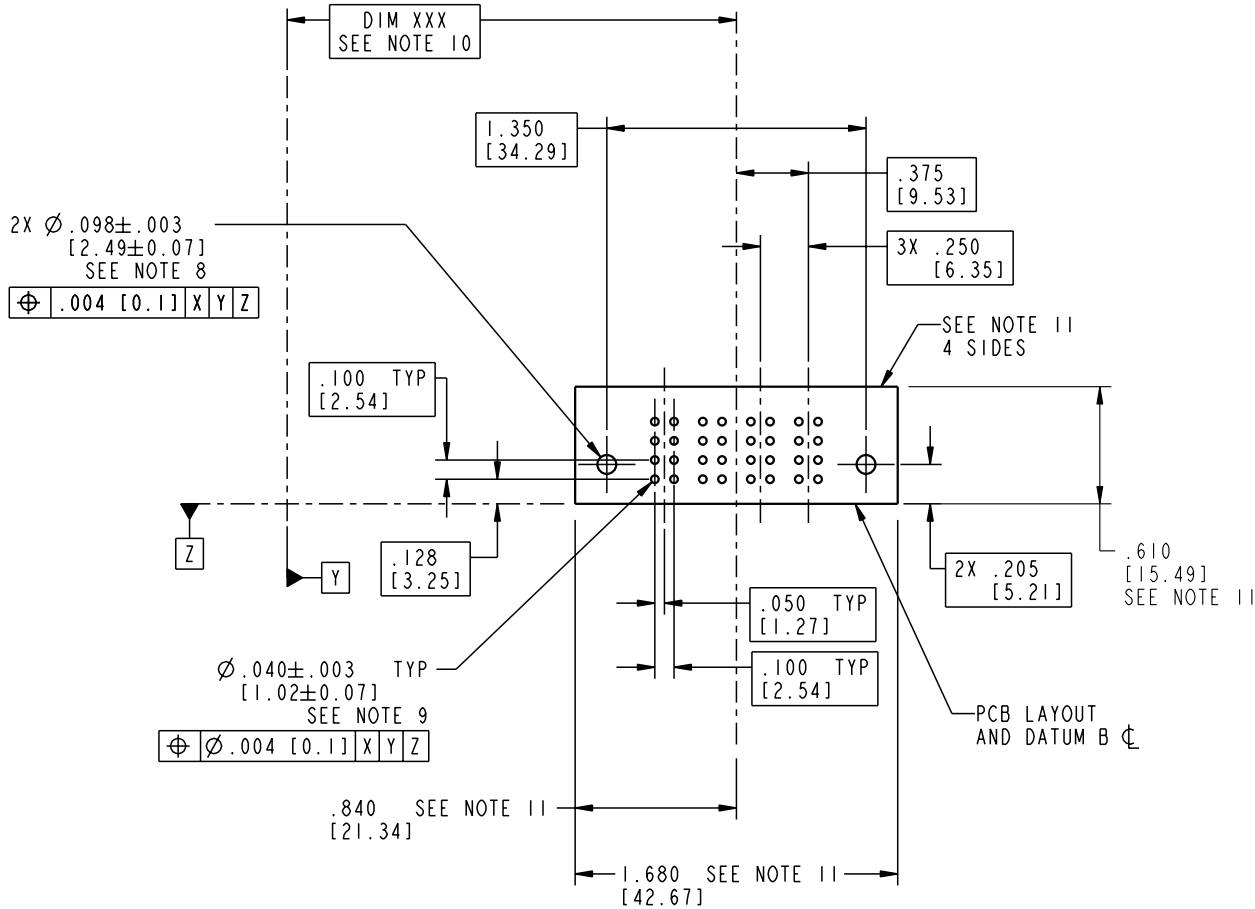
STATUS: Released

Printed: Aug 14, 2007

Tous droits strictement réservés. Reproduction ou communication o des tiers interdite sous quelque forme que ce soit sans autorisation écrite du propriétaire. Propriété de c FCI. Droits de reproduction FCI.

All rights strictly reserved. Reproduction or issue to third parties in any form whatever is not permitted without written authority from the proprietor. Property of FCI. Copyright FCI.

PRODUCT NUMBER
51743-1040000CA



mat'l code				SEE NOTE 2		tolerances unless otherwise specified		CUSTOMER		 www.fciconnect.com	
ltr	ecr no.	dr	date	linear	.XX±.01/0.X±0.3	COPY		projection		title	
A				angles	.XXX±.005/0.XX±0.13	A				4P	
				dr	.XXX±.0020/0.XXX±0.051	C. DAILY		INCH/MM		VERTICAL PRESS FIT RECEIPT	
				enr	0° ± 2°	12/09/02		scale		product family	
				chr		12/09/02		1:1		PwrBlade	
				appd		12/09/02				code	
sheet index		revision sheet								213	
										3 of 4	
										51743-1040000CA	

cage code 22526

Pro/E

PDM: Rev:A

STATUS: Released

Printed: Aug 14, 2007

Tous droits strictement réservés. Reproduction ou communication o des tiers interdite sous quelque forme que ce soit sans autorisation écrite du propriétaire. Propriete de c FCI. Droits de reproduction FCI.

A
FCI

All rights strictly reserved. Reproduction or issue to third parties in any form, whatever is not permitted without written authority from the proprietor. Property of FCI. Copyright FCI.

A

B

1 | 2

3 |

4

PRODUCT NUMBER

51743-1040000CA

NOTES:

1. DIMENSIONS AND TOLERANCES ARE IN ACCORDANCE WITH ASME Y14.5M, 1994 UNLESS OTHERWISE SPECIFIED.

CONNECTOR NOTES:

2 HOUSING MATERIAL: UL 94 V-0 GLASS FILLED

HIGH-TEMP THERMOPLASTIC
POWER CONTACT MATERIAL: COPPER ALLOY
SIGNAL PIN MATERIAL: COPPER ALLOY

3. PLATING:

SIGNAL PINS: 30u"/0.76um Au OVER 50u"/1.27um Ni
POWER CONTACTS: 50u"/1.27um Ni UNDER ALL
WITH 30u"/0.76um Au ON CONTACT AREA
AND SnPb ON PCB INTERFACE

4 MANUFACTURER'S NAME, P/N, AND DATE CODE TO APPEAR ON THIS SURFACE.

5. PRODUCT SPECIFICATION GS-12-149.
APPLICATION SPECIFICATION BUS-20-067.

6. PACKAGED IN TRAYS.

PCB NOTES:


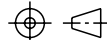
7. ALL HOLE DIAMETERS ARE FINISHED HOLE SIZE.

8 MOUNTING HOLES, WHERE APPLICABLE, ARE UNPLATED.

9 $\varnothing .0453 \pm .0010$ [1.151 \pm 0.025] DRILLED HOLES PLATED WITH .0003 [0.008] MIN SnPb OVER .001 [0.03] TO .003 [0.08] Cu PLATING TO ACHIEVE $\varnothing .040 \pm .003$ [1.02 \pm .07] HOLE.

10 "DIM XXX" TO BE DETERMINED BY THE CUSTOMER.

11 CONNECTOR KEEP-OUT ZONE.

mat'l code				SEE NOTE 2		tolerances unless otherwise specified		CUSTOMER		 FCI www.fciconnect.com	
ltr	ecm no.	dr	date	linear	.XX±.01/0.X±0.3		COPY		title		
A					.XXX±.005/0.XX±0.13		projection		4P		
					.XXX±.0020/0.XX±0.051				VERTICAL PRESS FIT RECEIPT		
				angles	0° ± 2°		INCH/MM		product family		code
				dr	C. DAILY	12/09/02	scale		PwrBlade		213
				enr	M. MOSTOLLER	12/09/02	1:1		size		sheet
				chr	M. MOSTOLLER	12/09/02			A 51743-1040000CA		4 of 4
				appd	M. MOSTOLLER	12/09/02					
sheet index		revision sheet							cage code		
									22526		4

A

B

1 | 2

Pro/E

3 |

cage code 22526

4

PDM: Rev:A

STATUS: **Released**

Printed: Aug 14, 2007